

HYDRA™

Mount and Cable Accessories

FEATURES

- Designed specifically for Hydra
- Mounts are colour matched in grey-white or black
- 4" PCB mounting
- 25mm threaded conduit entry with through bracket cable route
- Stainless steel fixings included
- Securing point for lanyards
- Umbilical cables with moulded plug at one end



The Hydra 1000 and Hydra 3000 series of ruggedized camera platforms include a range of mounting accessories and umbilical cables to facilitate their safe and reliable installation. The range consists of five mounts to enable installations on walls, soffits, columns and poles. They are manufactured from mild steel and supplied with stainless steel fixings and are equipped with a 25mm threaded conduit entry point. All mounts are finished in grey-white or black to match the standard Hydra colour options.

Four lengths of umbilical cable are available for the Hydra 1000, from 2.5m to 10m. Each has an over-moulded IP 68 rated connector on one end and bare unterminated wires at the other. One length of 10m cable is supplied with the Hydra 3000 to connect power & alarms, which has an over-moulded IP 67 rated connector on one end and bare unterminated wires at the other.

Mounts (Hydra 1000 Series and Hydra 3000 Series)

Weights & Dimensions	Wall Mount	Column Mount	Swan Nech Mount	Corner Mount	Pole Mount
Part No.s	OVU10005	OVU10006	OVU10007	OVU10008	OVU10009
Dimensions	See drawings below				
Weight - Kg	1.5	1.2	2.6	1.6	1.2
Shipping dimensions LxWxD - cm	25x40x15	15x20x15	116x75x45	20x30x20	20x20x20
Shipping Weight - Kg	2.0	1.5	3.2	2.0	1.6

Hydra 1000 Umbilical Cables

Available Lengths - m	2.5	5.0	7.5	10
Part No.s	OVU00259	OVU00260	OVU00261	OVU00262
Construction	Over moulded plug one end, unterminated wires at the other end			
Connector IP Rating	IP68			
Weight - Kg	0.25	0.6	0.85	1.1
Shipping dimensions LxWxD - cm	10x25x25	10x25x25	10x25x25	10x25x25
Shipping weight - Kg	0.35	0.7	0.95	1.2

Hydra 3000 Replacement Cable/Parts

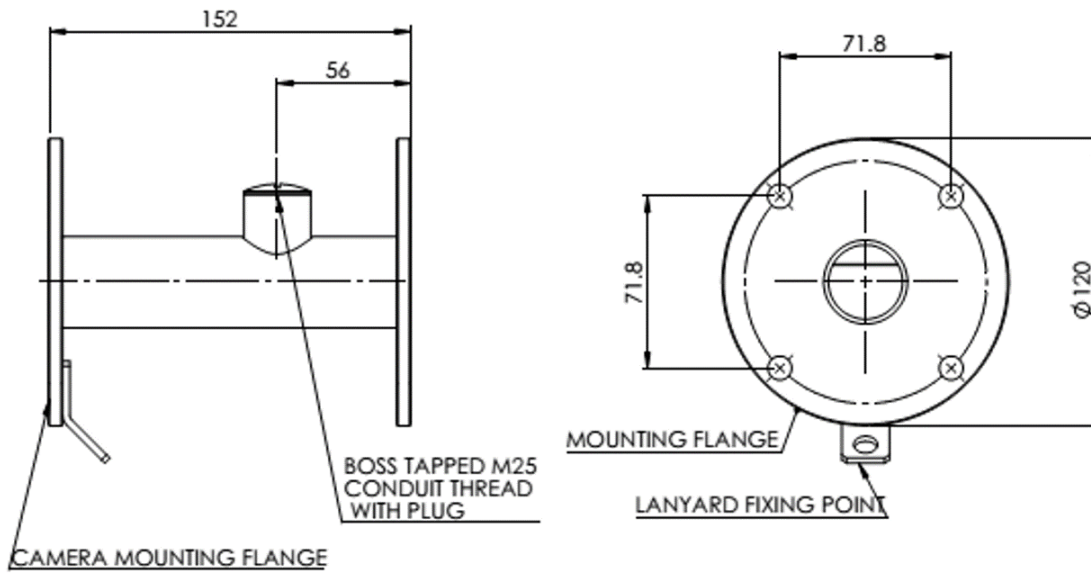
Replacement	Power Cable 10m	IP 67 RJ-45 Plug Housing
Part No.s	OVU20025	OVU20026

Note: Specifications subject to change without notice.

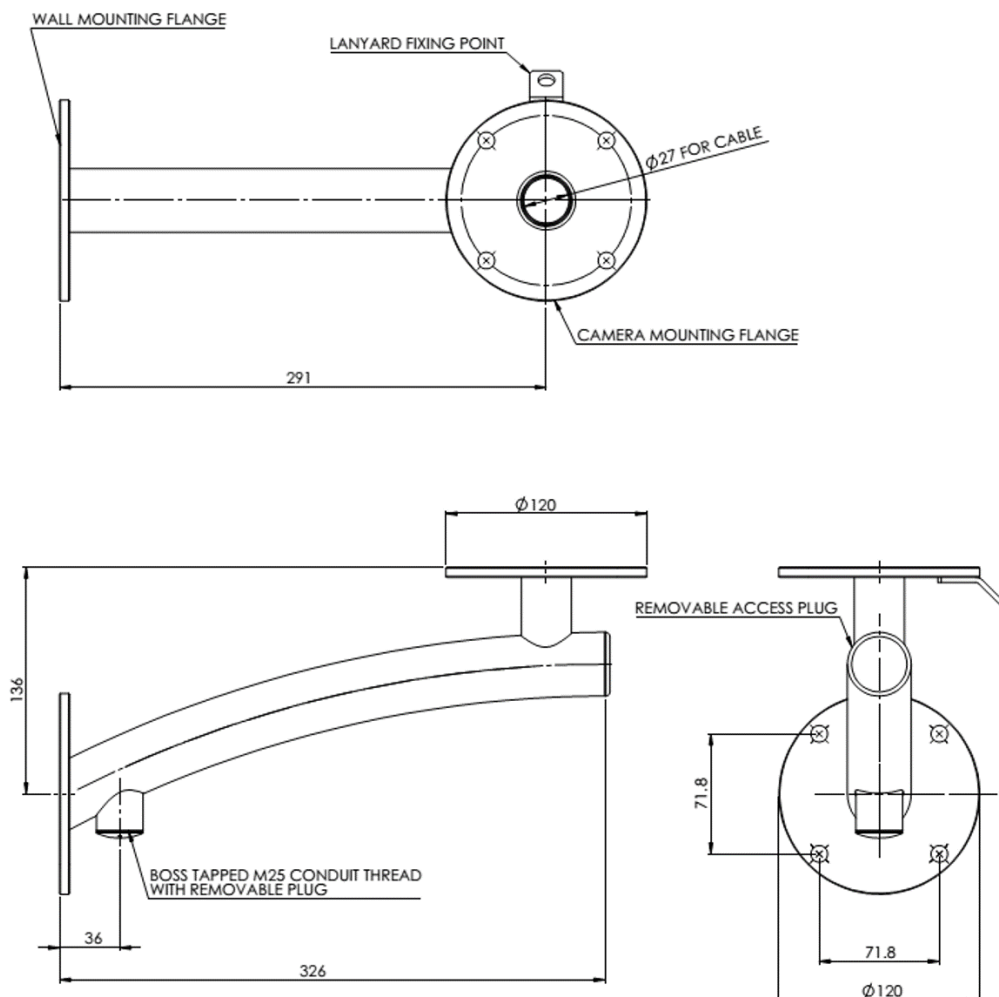
Overview Limited T: +44 (0) 20 8875 0984 E: info@overview.co.uk www.overview.co.uk



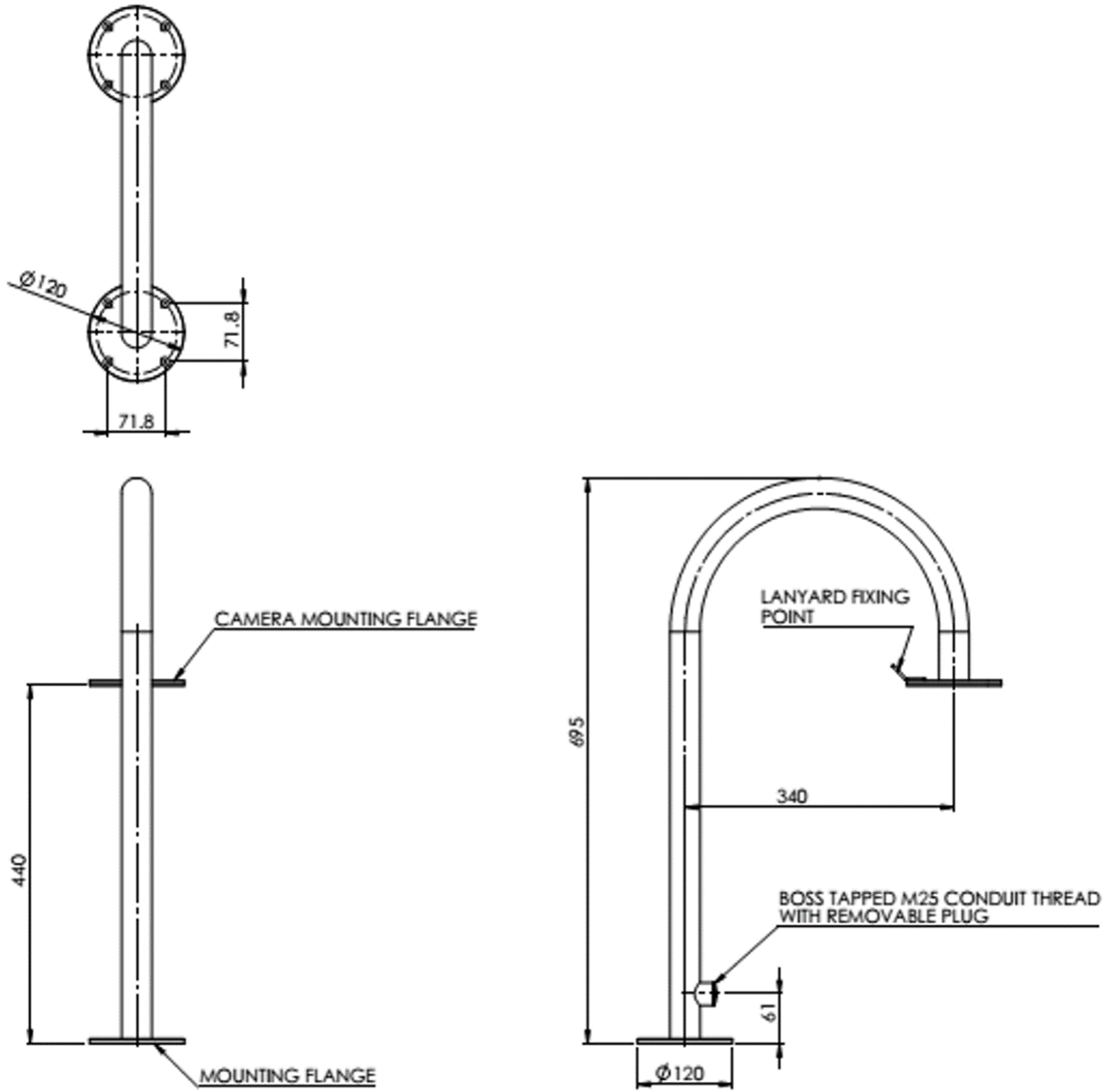
Column Mount



Wall Mount



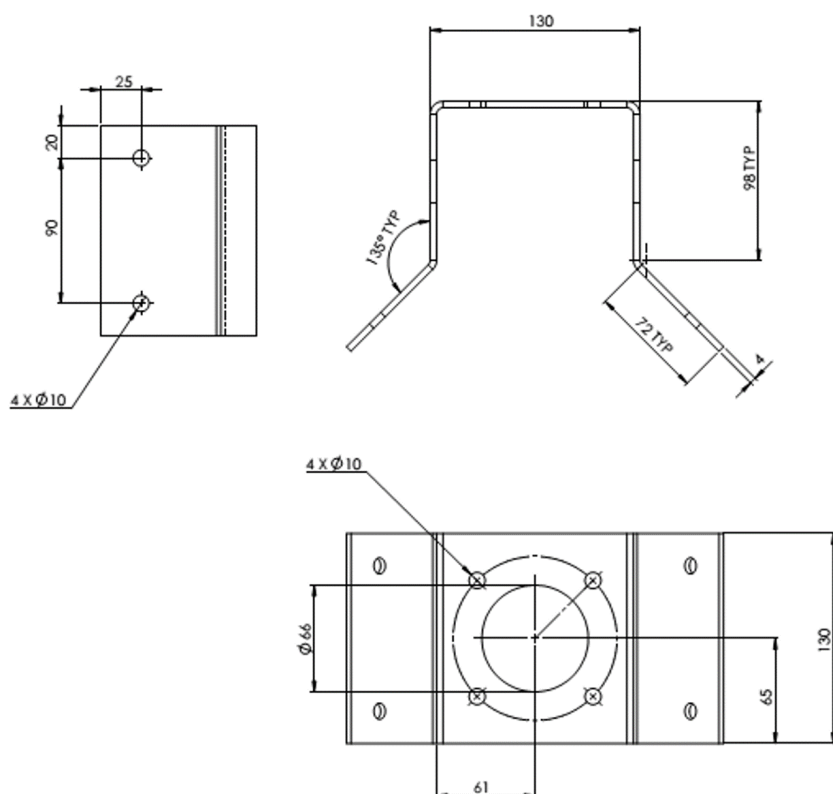
Swan Neck Mount



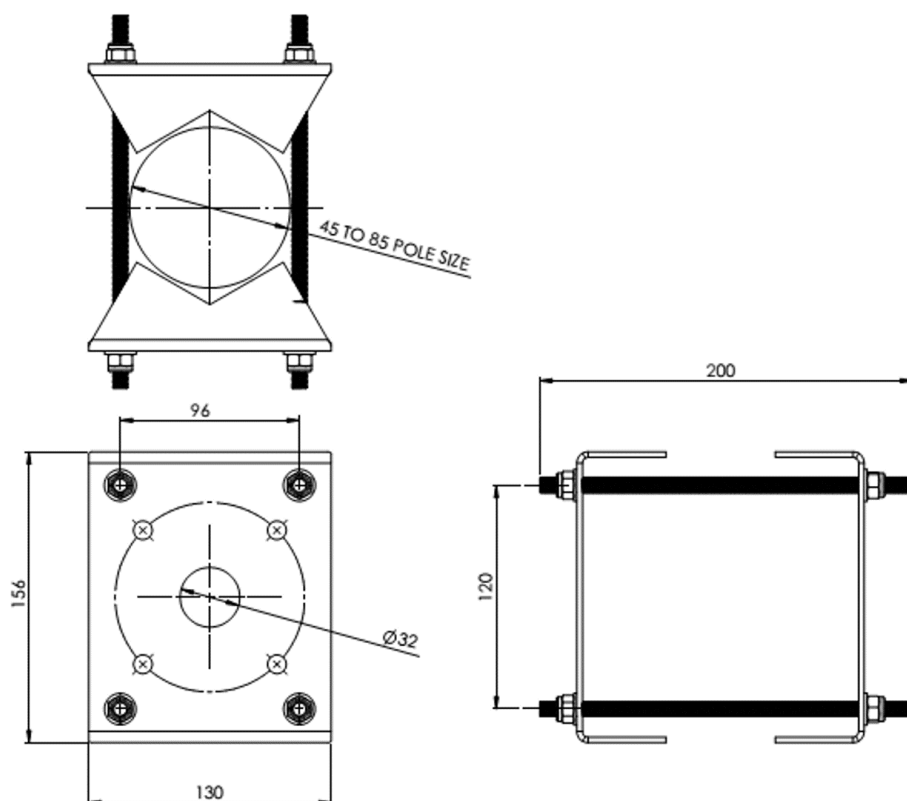
Note: Specifications subject to change without notice.

Overview Limited T: +44 (0) 20 8875 0984 E: info@overview.co.uk www.overview.co.uk

Corner Mount



Pole Mount



Note: Specifications subject to change without notice.